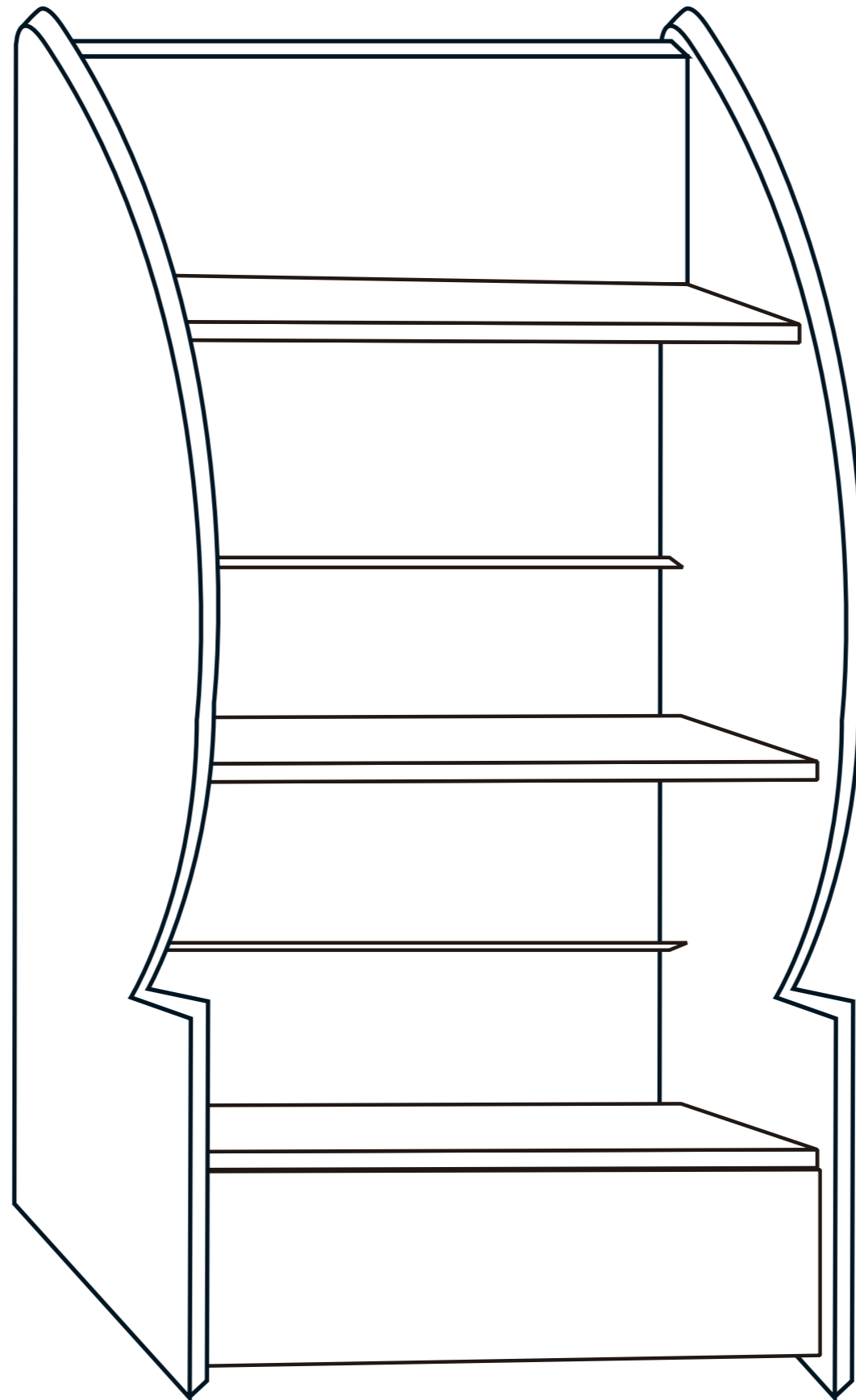


IMPORTANT  
KEEP FOR FUTURE REFERENCE & READ CAREFULLY

# EXPLORER BOOKCASE



## INSTRUCTIONS

### **Important before assembly:**

Read these instructions carefully before assembling or using the product. The back page also details some more information on safety, care and maintenance.

Please check the contents of the box before attempting to assemble this product. The instructions will have a checklist of parts and fittings.

Only adults should assemble this product.

Assemble the product as close to its intended final location/room as possible.

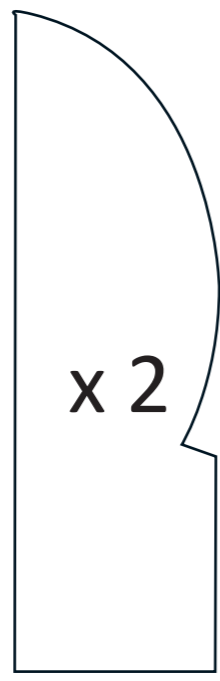
Do NOT use any power tools as this may damage the frame.

You may require an assistant when lifting, as this product or some parts of this product may be heavy

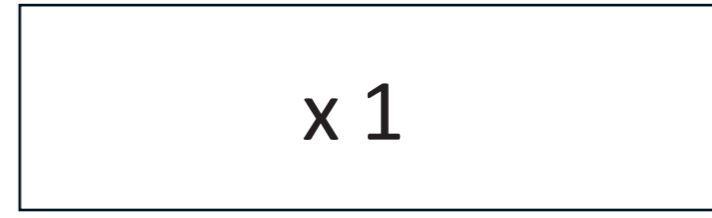
Please keep small parts out of reach of children.

# PARTS LIST

1.



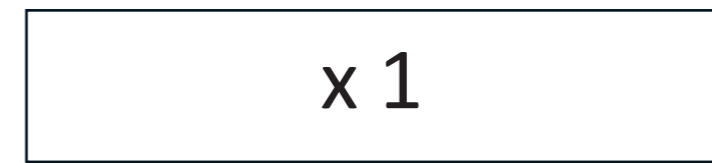
2.



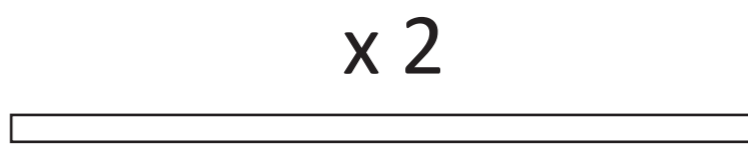
3.



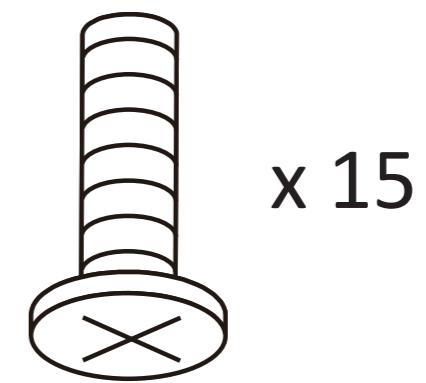
4.



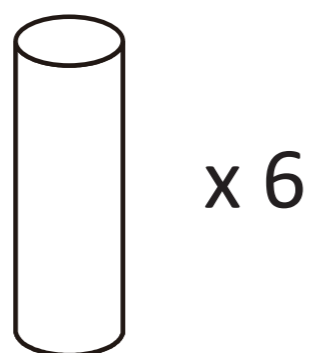
5.



6.



7.

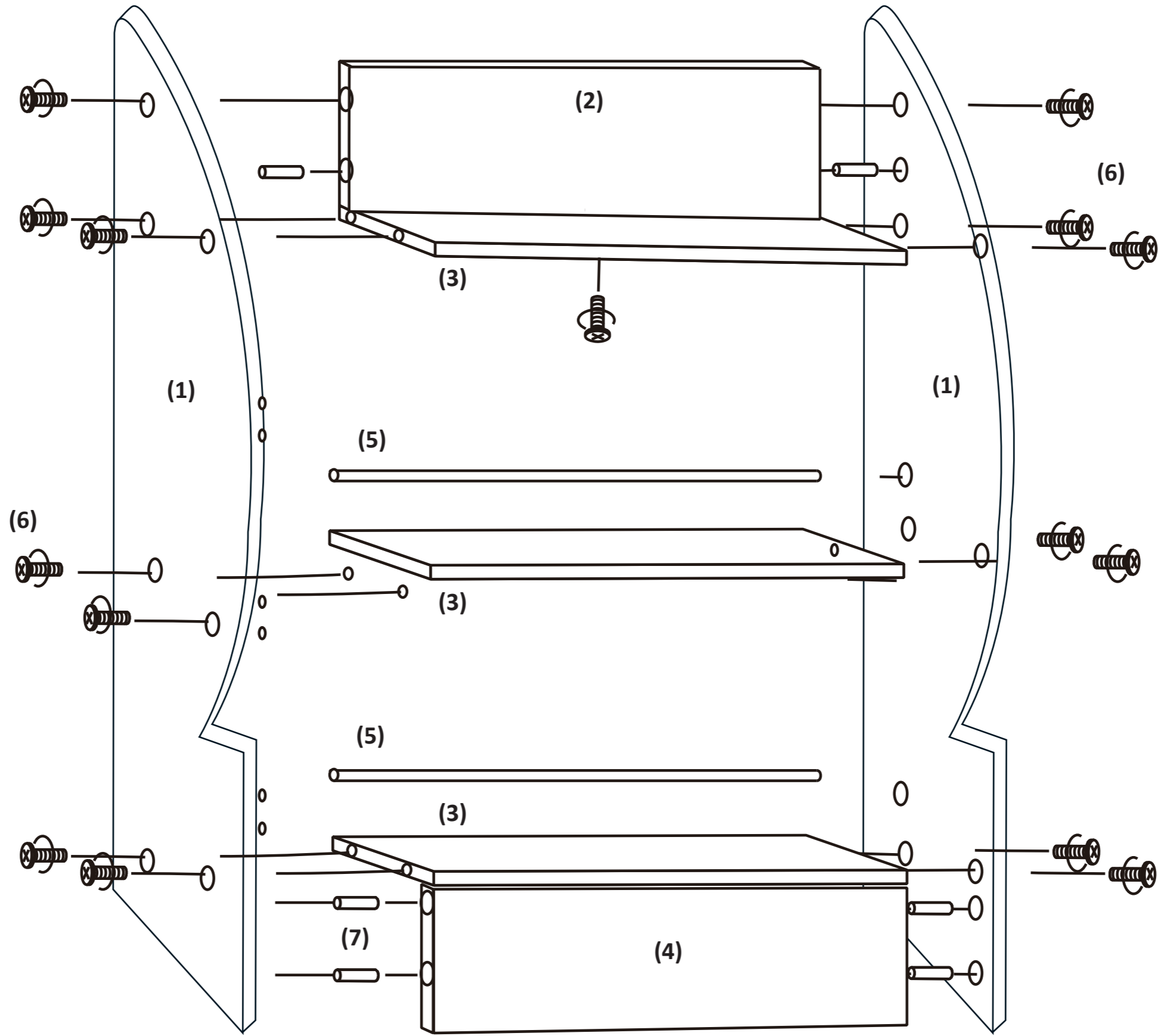


8.

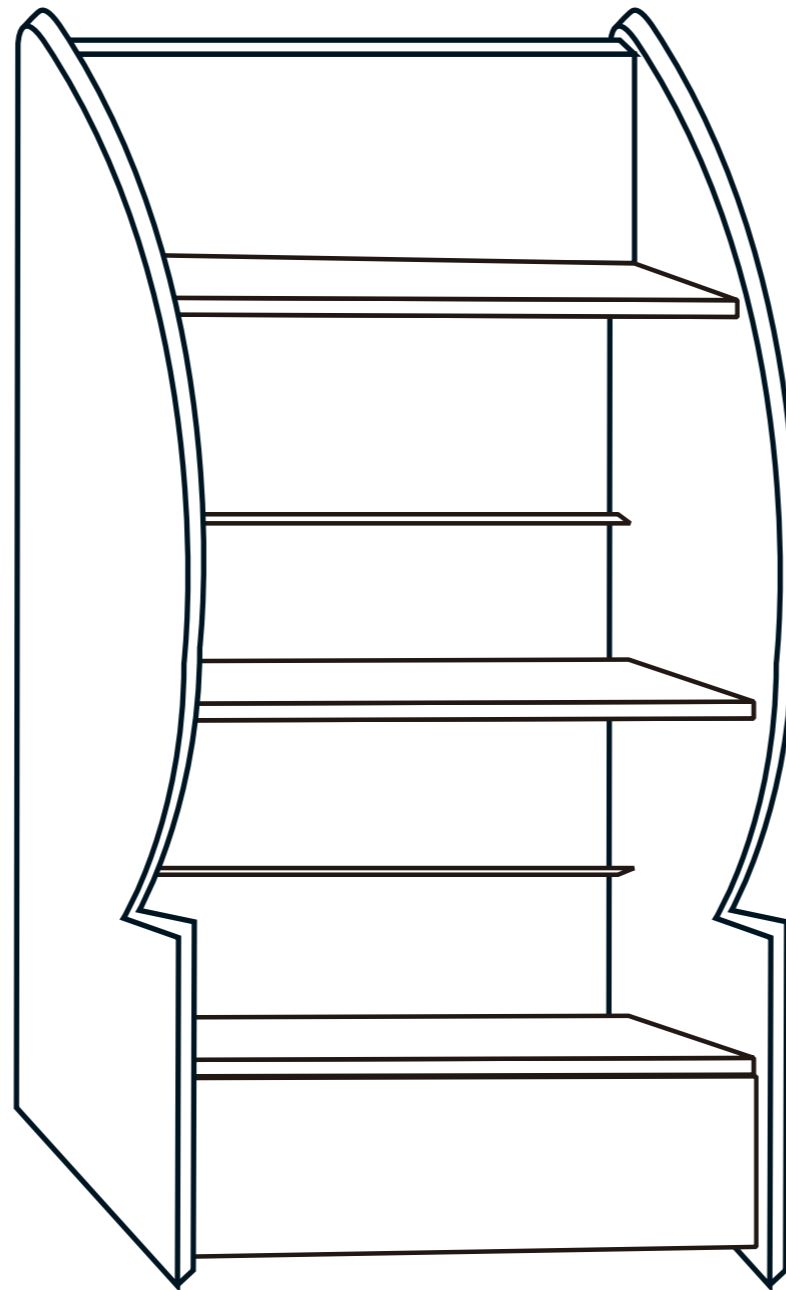
1. Side Panel
3. Shelf Panel
5. Back Poles
7. Wooden Dowels

2. Top Panel
4. Front Base Panel
6. Screws
- 8.

A



- A. Start with one side (1) and position the shelves (3), top panel (2) with wooden dowels, then fix with the screws (6). Position the back poles and fix these in position with some screws (6). Once all in place and fixed, repeat tyhe process with other side panel (1).



The bookcase is now complete, please read the user guide notes to maintain the unit to its highest standard.

Please dispose of all packaging safely.

## User Guide

Please take a little time to read the important safety notes detailed below. This will ensure many years of happy and safe use.

## Safety

Keep this product away from fire and direct heat sources.

Only use spares approved by Happy Beds.

Always clear and empty the product before dismantling.

Adult assembly required.

## General Care & Maintenance

Wipe clean with a slightly damp cloth.

Avoid the use of all household cleaners and abrasives.

Periodically check all screw & fixings to ensure they are secure.

When moving your product, carefully lift into place. Never drag or push the pieces across the floor as this will cause damage to the joints and could result in failure to the product that will invalidate the warranty.

For more information on cleaning and product care visit:

<https://www.happybeds.co.uk/help-and-advice>

## Notes

We've tried to make this product as easy to assemble as possible. In the unlikely event that you have problems putting it together or have damaged or missing pieces, please contact us by visiting:

<https://www.happybeds.co.uk/customer-service>



[www.happybeds.co.uk](http://www.happybeds.co.uk)