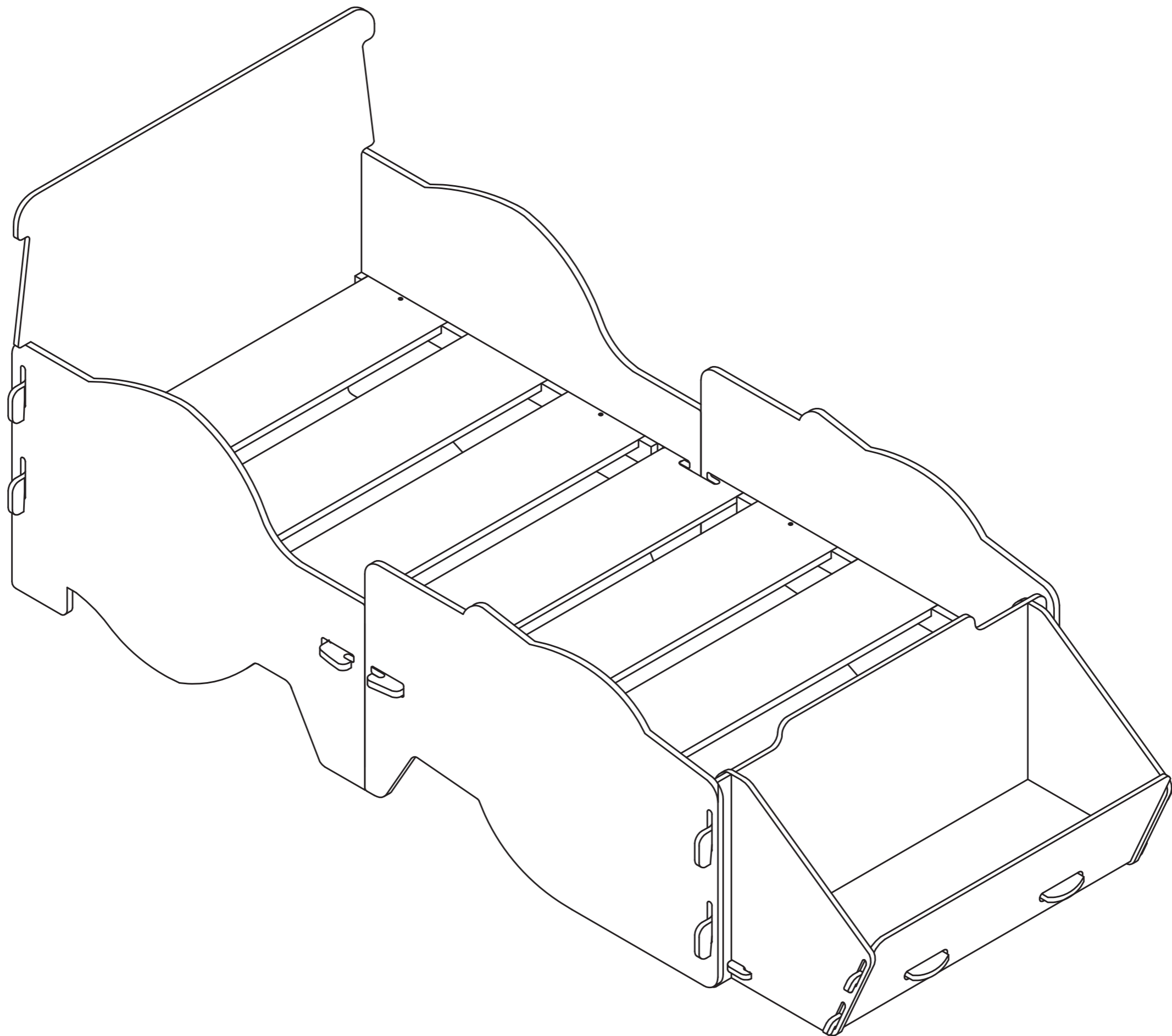


**IMPORTANT
KEEP FOR FUTURE REFERENCE & READ CAREFULLY**

JCB SINGLE BED



INSTRUCTIONS

Important to read before assembly:

Please check the contents of the box before attempting to assemble this product. The instructions will have a checklist of parts and fittings.

Only adults should assemble this product.

Assemble the product as close to its intended final location/room as possible.

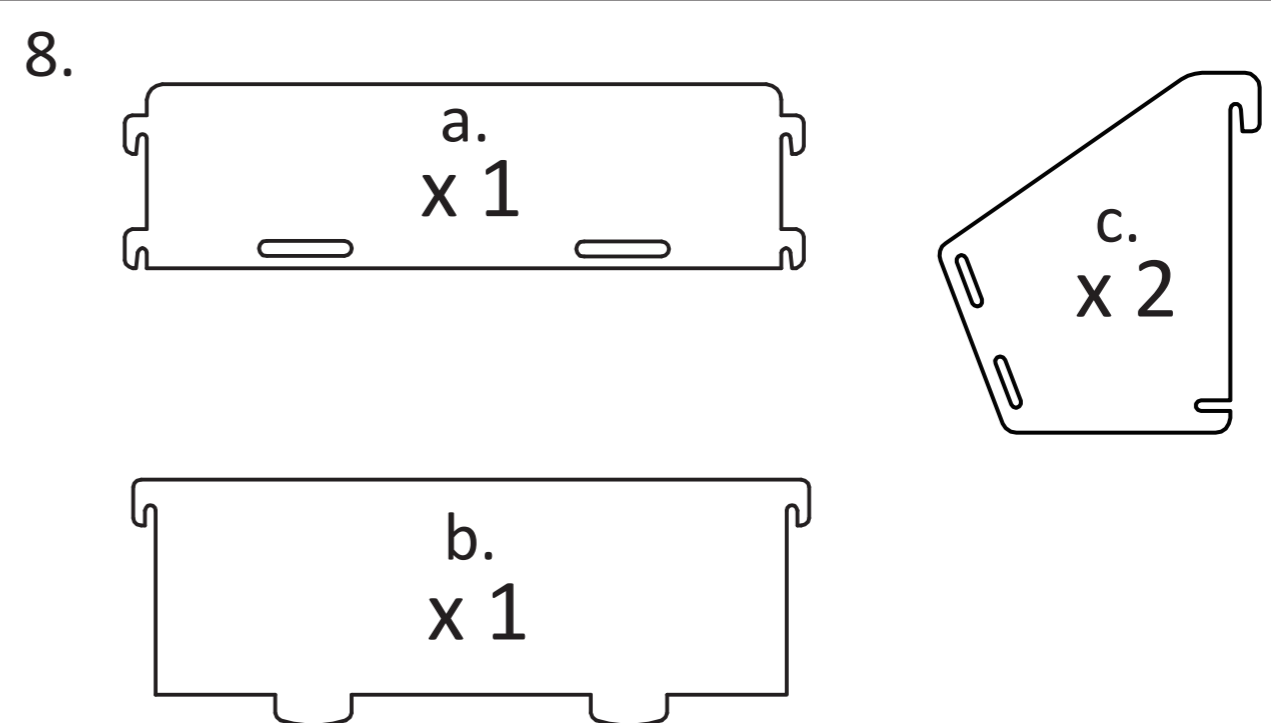
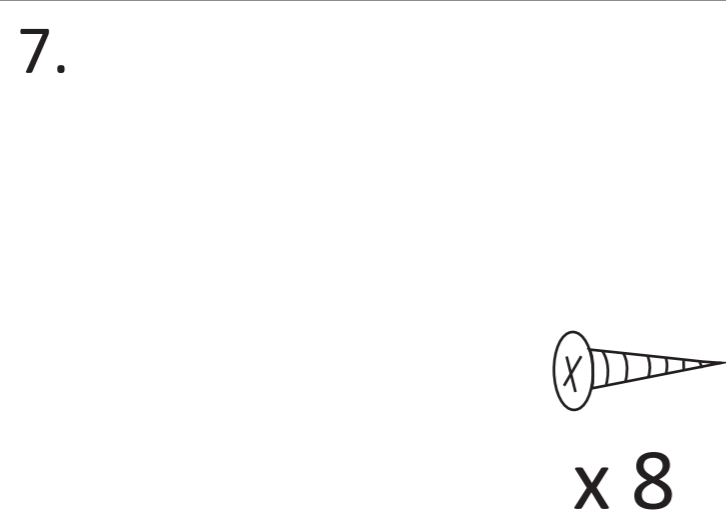
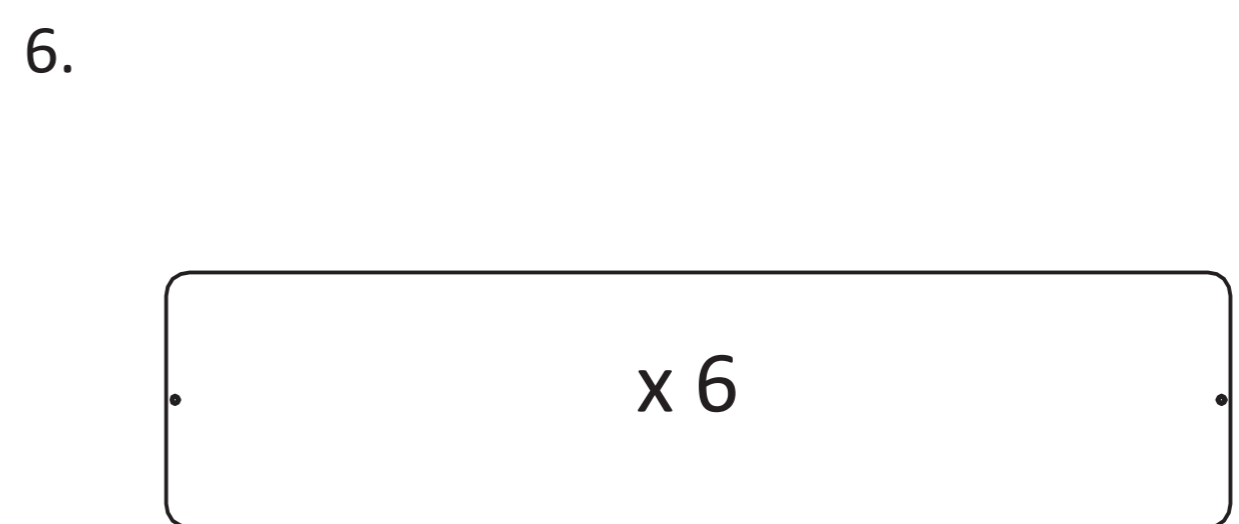
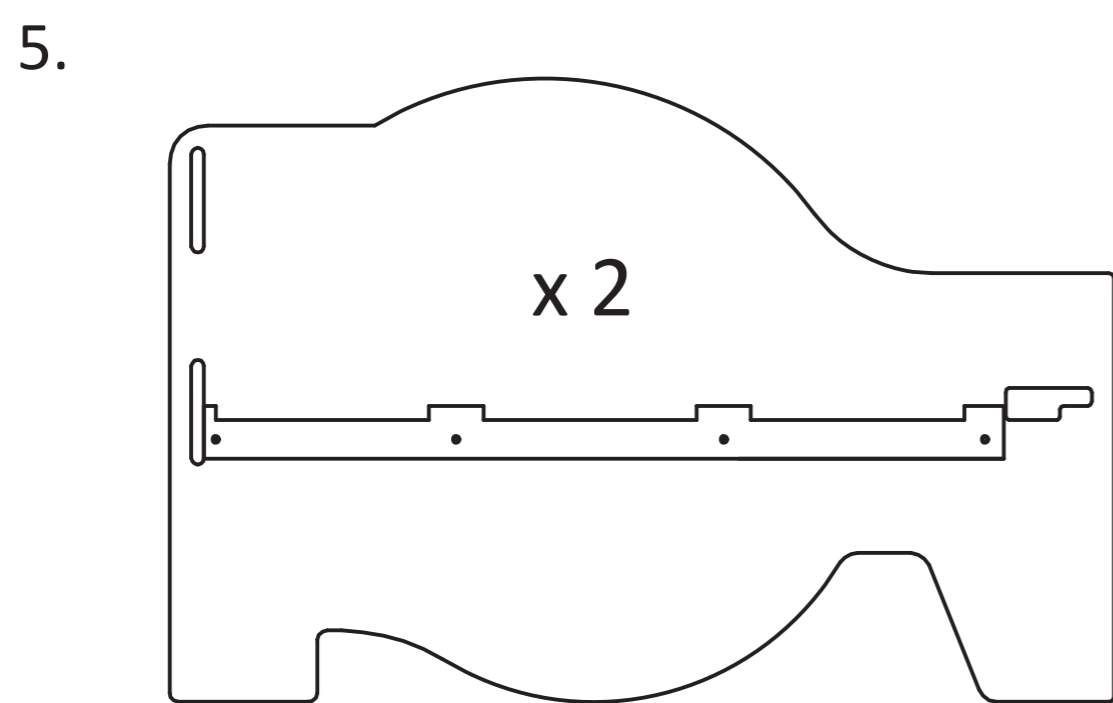
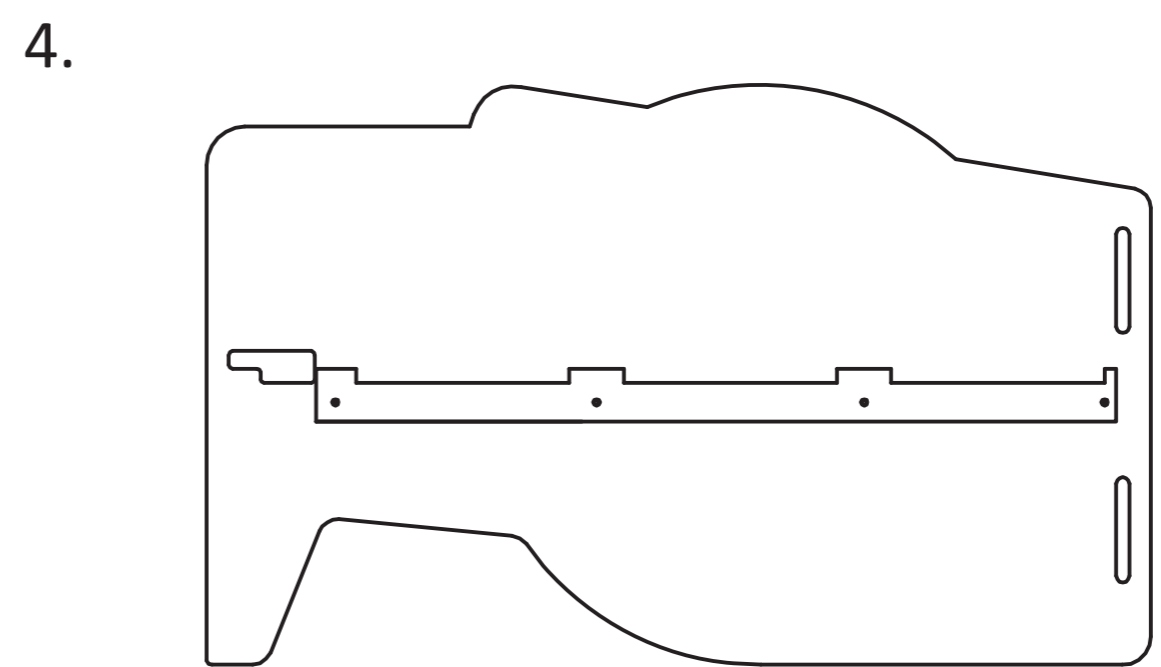
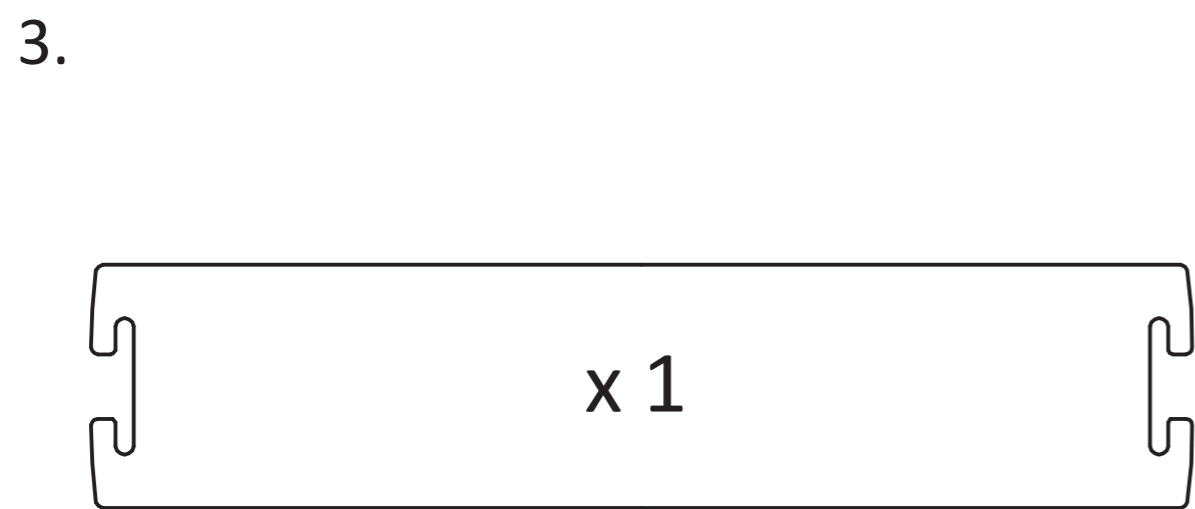
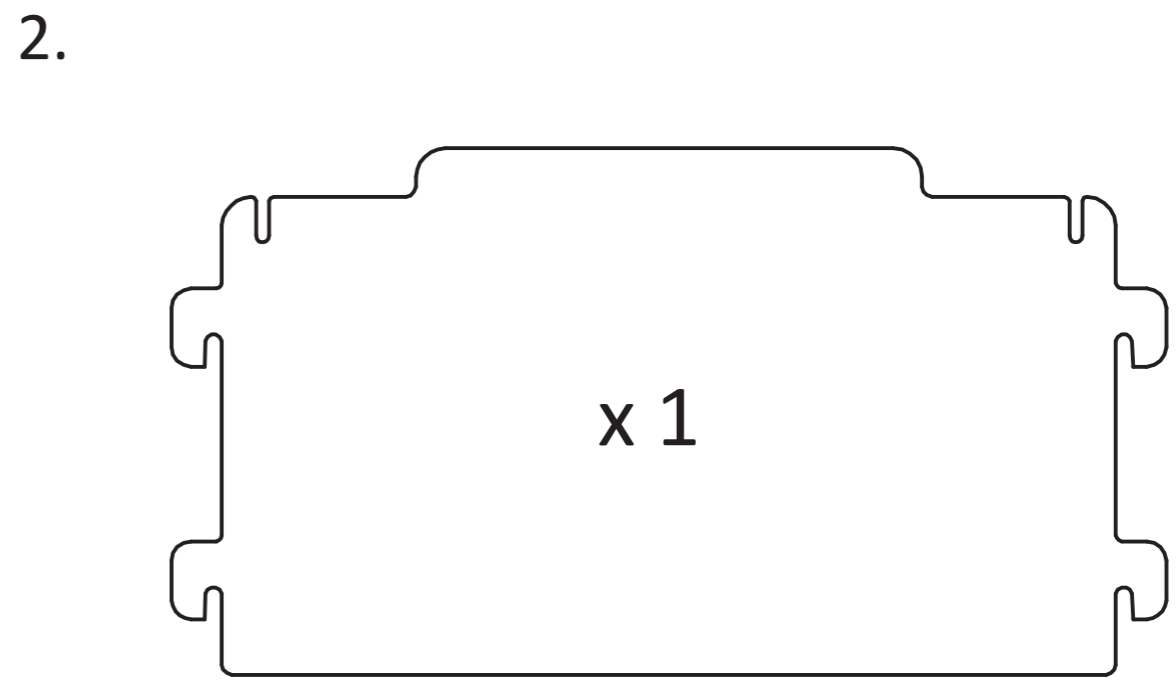
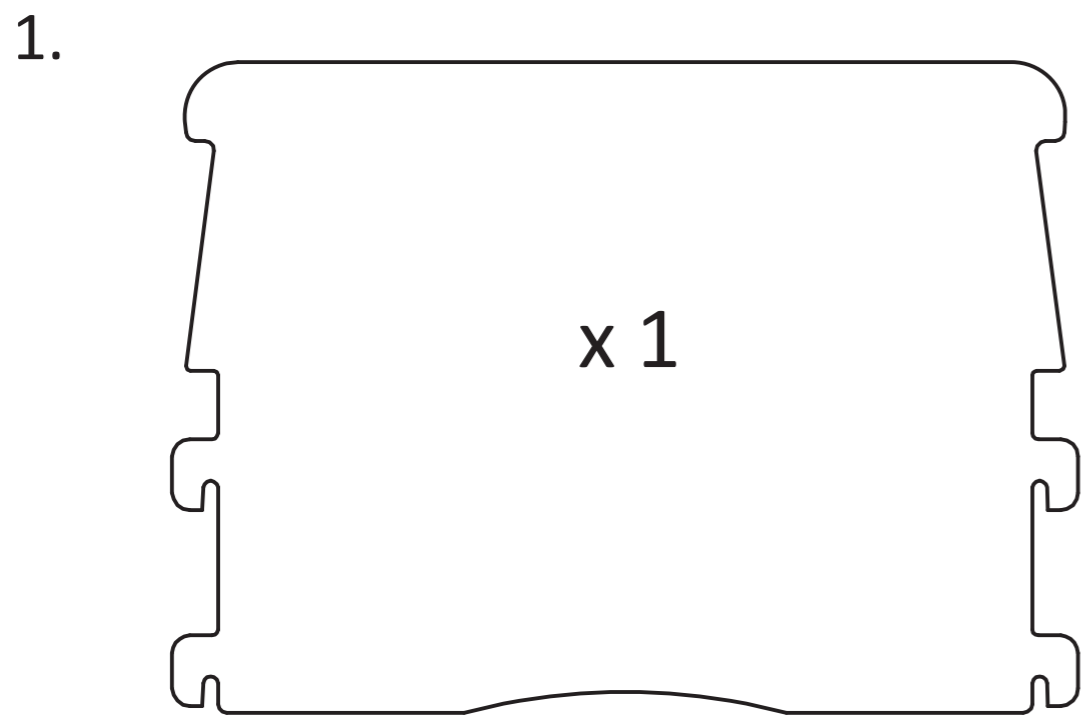
Do NOT use any power tools as this may damage the frame.

You may require an assistant when lifting, as this product or some parts of this product may be heavy

Please keep small parts out of reach of children.

The back page also details some more information on safety, care and maintenance.

PARTS LIST



1. Headboard

3. Centre Support

5. Back Side Panel

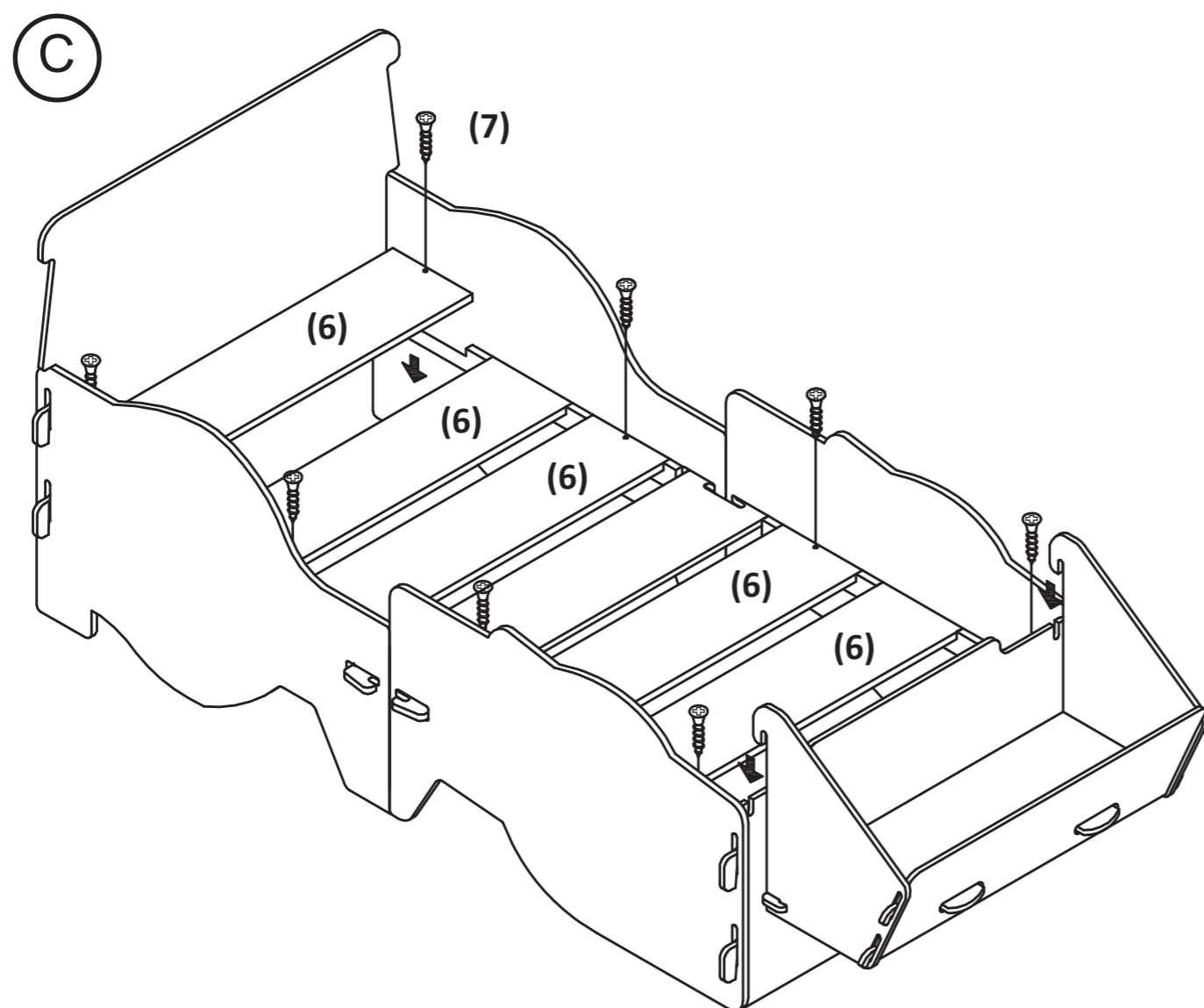
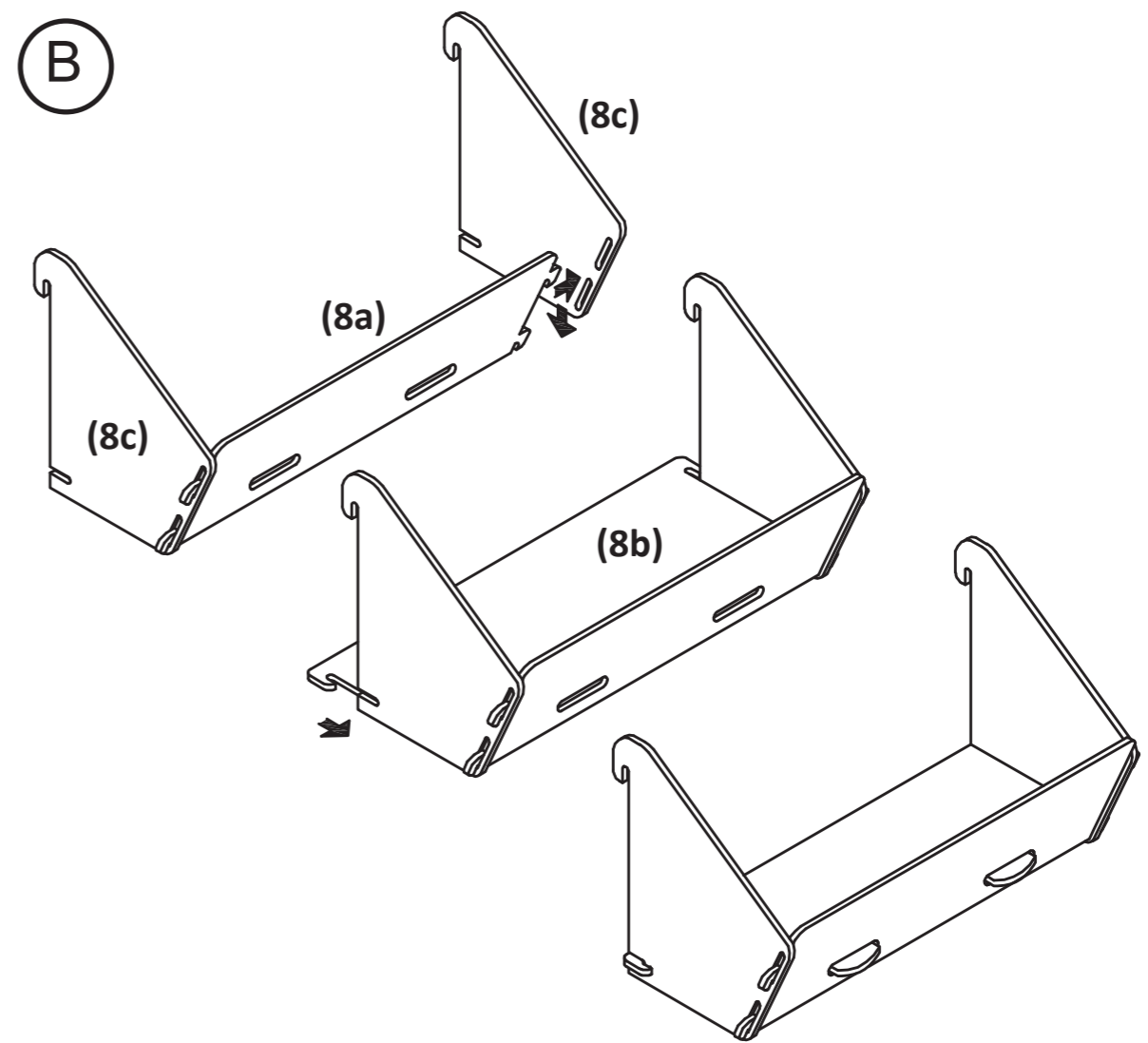
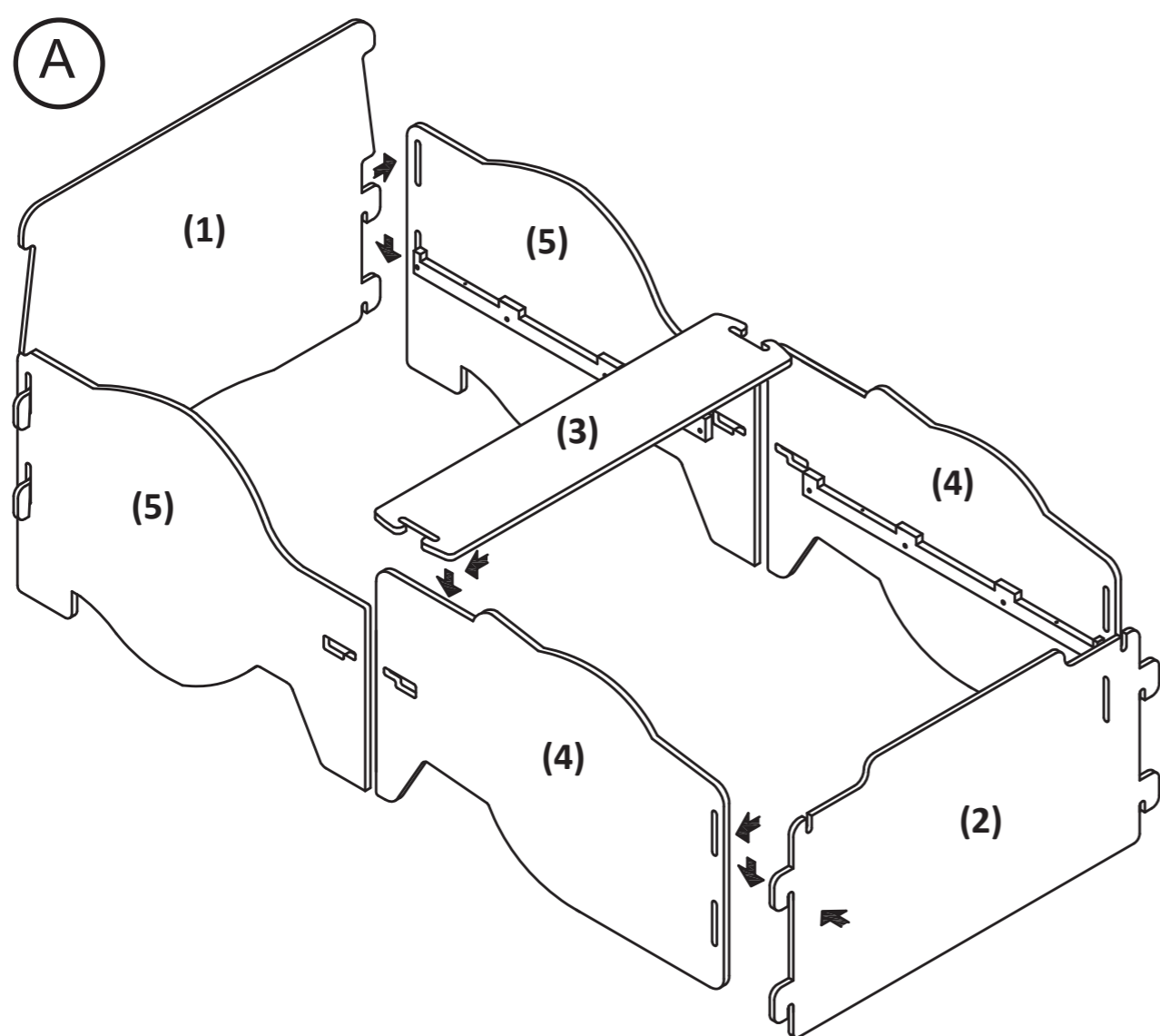
7. Screw

2. Footboard

4. Front Side Panel

6. Slat

8. Front Storage - Front, base
& 2 Sides



- A. Take the headboard (1) and slot in the back side panels (5). Do the same with the footboard (2) slot in the front side panels (4). Pull the front / back side panels (4 + 5) together, then insert the centre support (3) to the holes in the side on oneside, then repeat for the other side.
- B. For front storage box assembly, hook front panel (8a) into side panels (8c), then slide in base panel (8b).
- C. Put slats (6) in place on the side panels (4 + 5), take the screws (7) and put into the slats (6) with screw driver (not supplied). Lift whole front storage box and hook onto footboard of the bed.

The JUNIOR BED is now complete, please read the user guide notes to maintain the unit to its highest standard.

Please dispose of all packaging safely.

User Guide

Please take a little time to read the important safety notes detailed below. This will ensure many years of happy and safe use.

The bed is intended for use by a child from the age of 18 months to 4 years old.

Please see the product page on our website www.happybeds.co.uk for the **recommended mattress(es)** with this bed.

Safety

This bed has been tested by an independent laboratory and is in compliance with BS 8509:2008+A1:2011

- Keep this product away from fire and direct heat sources.
- Only use spares approved by Happy Beds.
- Always clear and empty the product before dismantling.
- Do not use this bed if any part is broken, torn or missing.
- Do not use this product unless all fixings are secured.
- Always use on a level, even surface.
- Only adults should assemble this product.

Make sure the bed is not placed too close to other furniture, windows, blind cords, curtain pulls or other strings and cords due to children bouncing, jumping and climbing the bed. Like all children's beds, they present a risk of injury from strangulation if used incorrectly. Never attach or hang anything on any part of the bed that is not designed to be used with the bed, for example, but not limited to ropes, strings, cords, hooks, belts and bags.

Children can become trapped between the bed and the wall and other pieces of furniture (e.g. wardrobes). To avoid risk of serious injury, we recommend you place the bed tight to a wall or have at least 250mm between the wall and the bed.

General Care & Maintenance

- Wipe clean with a slightly damp cloth.
- Avoid the use of all household cleaners and abrasives.
- Periodically check all screw & fixings to ensure they are secure.
- When moving your product, carefully lift into place. Never drag or push the pieces across the floor as this will cause damage to the joints and could result in failure to the product that will invalidate the warranty.

For more information on cleaning and product care visit:

<https://www.happybeds.co.uk/help-and-advice>

Notes

We've tried to make this product as easy to assemble as possible. In the unlikely event that you have problems putting it together or have damaged or missing pieces, please contact us by visiting:

<https://www.happybeds.co.uk/customer-service>

Please keep these instructions for future reference.



www.happybeds.co.uk

