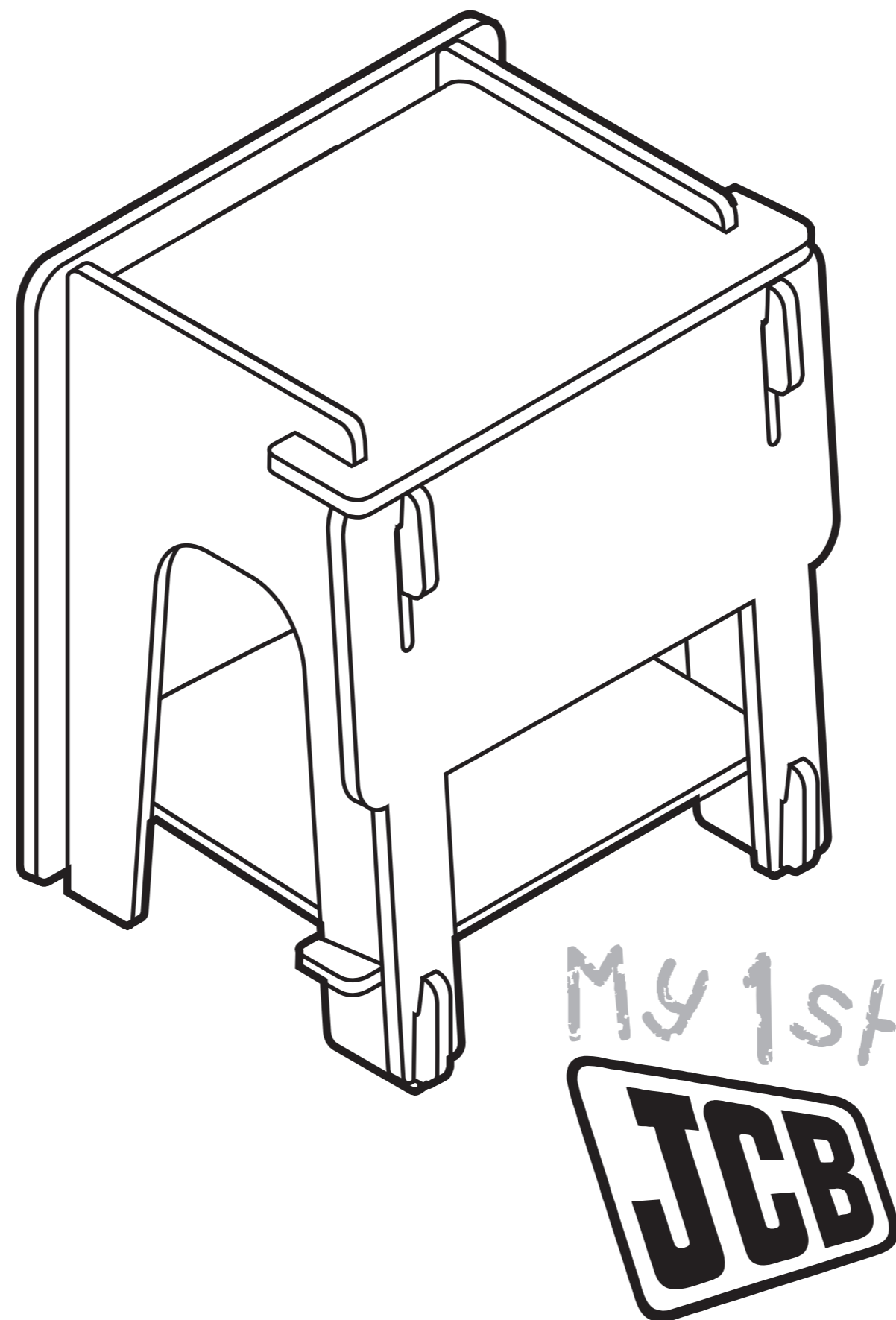


**IMPORTANT
KEEP FOR FUTURE REFERENCE & READ CAREFULLY**

JCB BEDSIDE



INSTRUCTIONS

Important to read before assembly:

Please check the contents of the box before attempting to assemble this product. The instructions will have a checklist of parts and fittings.

Only adults should assemble this product.

Assemble the product as close to its intended final location/room as possible.

Do NOT use any power tools as this may damage the frame.

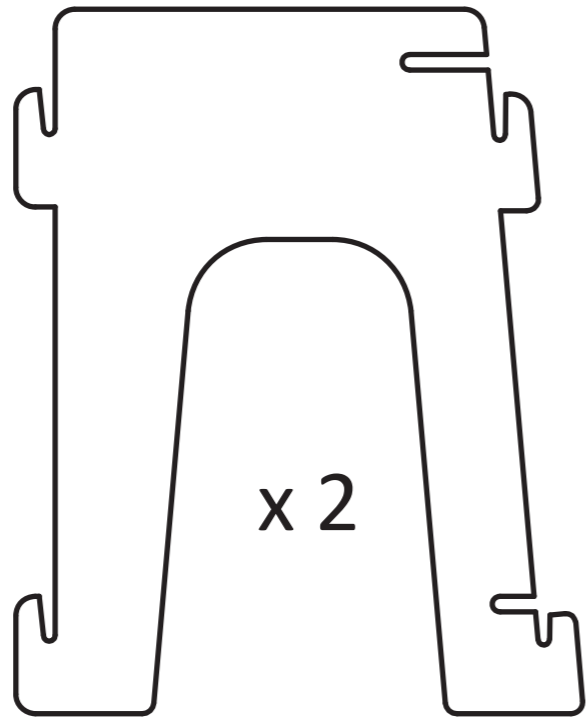
You may require an assistant when lifting, as this product or some parts of this product may be heavy

Please keep small parts out of reach of children.

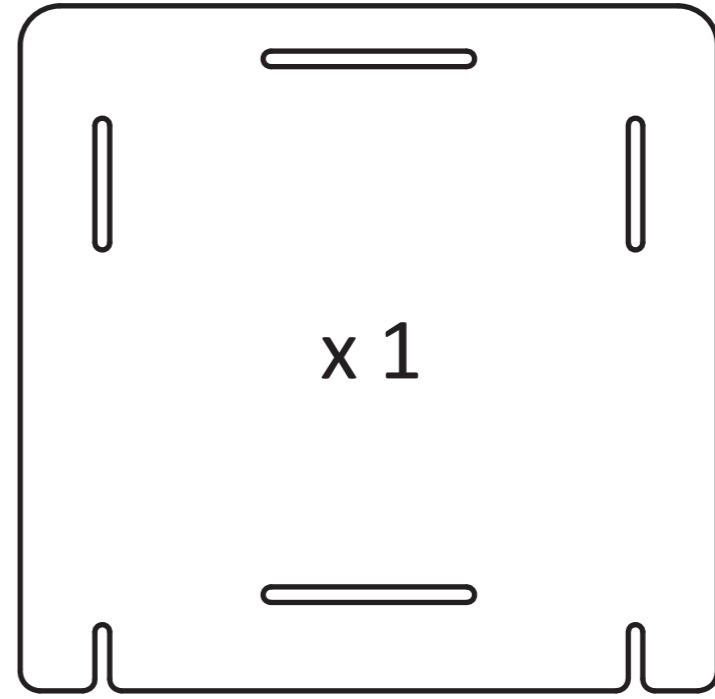
The back page also details some more information on safety, care and maintenance.

PARTS LIST

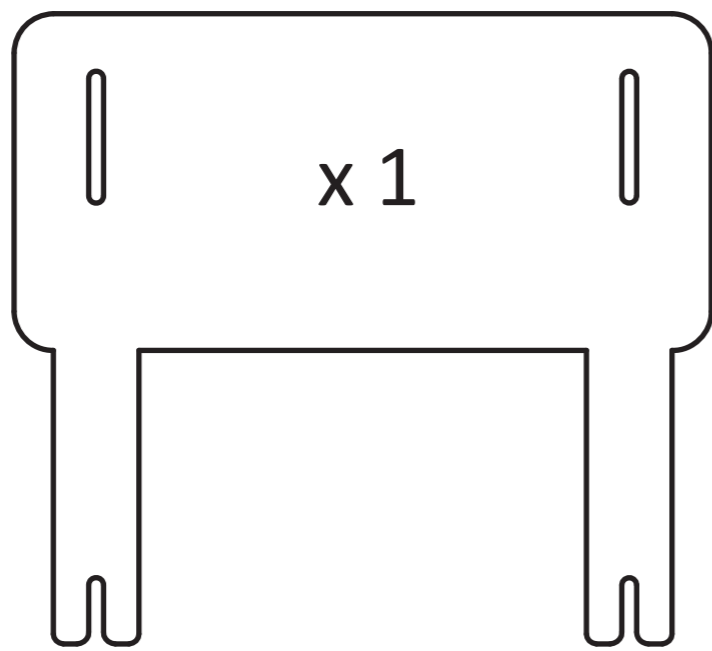
1.



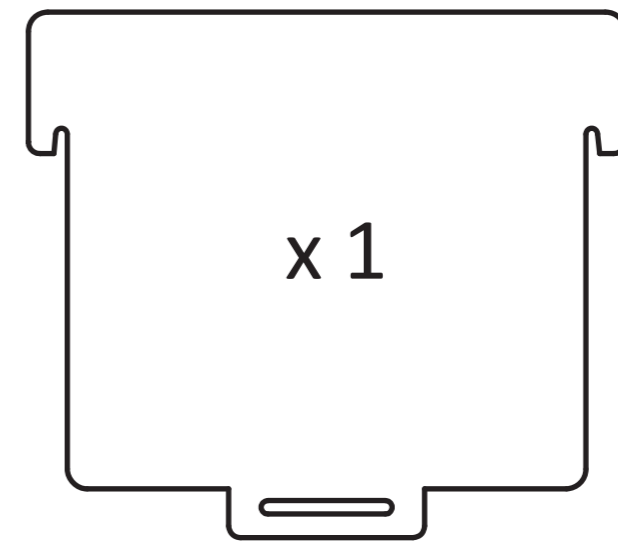
2.



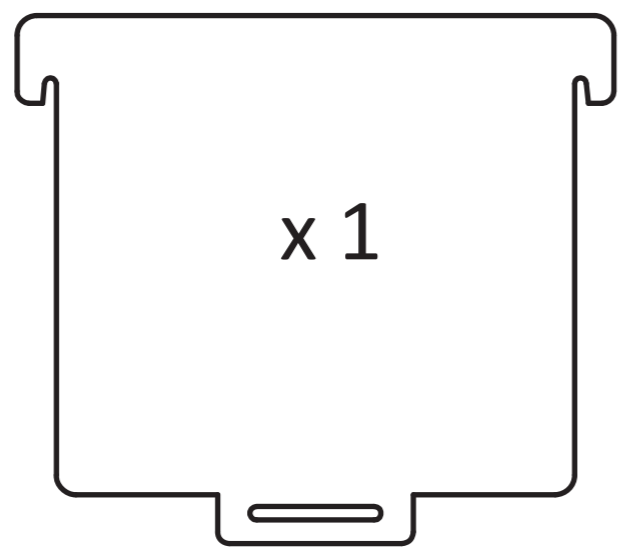
3.



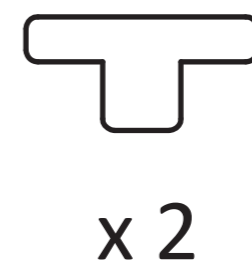
4.



5.



6.

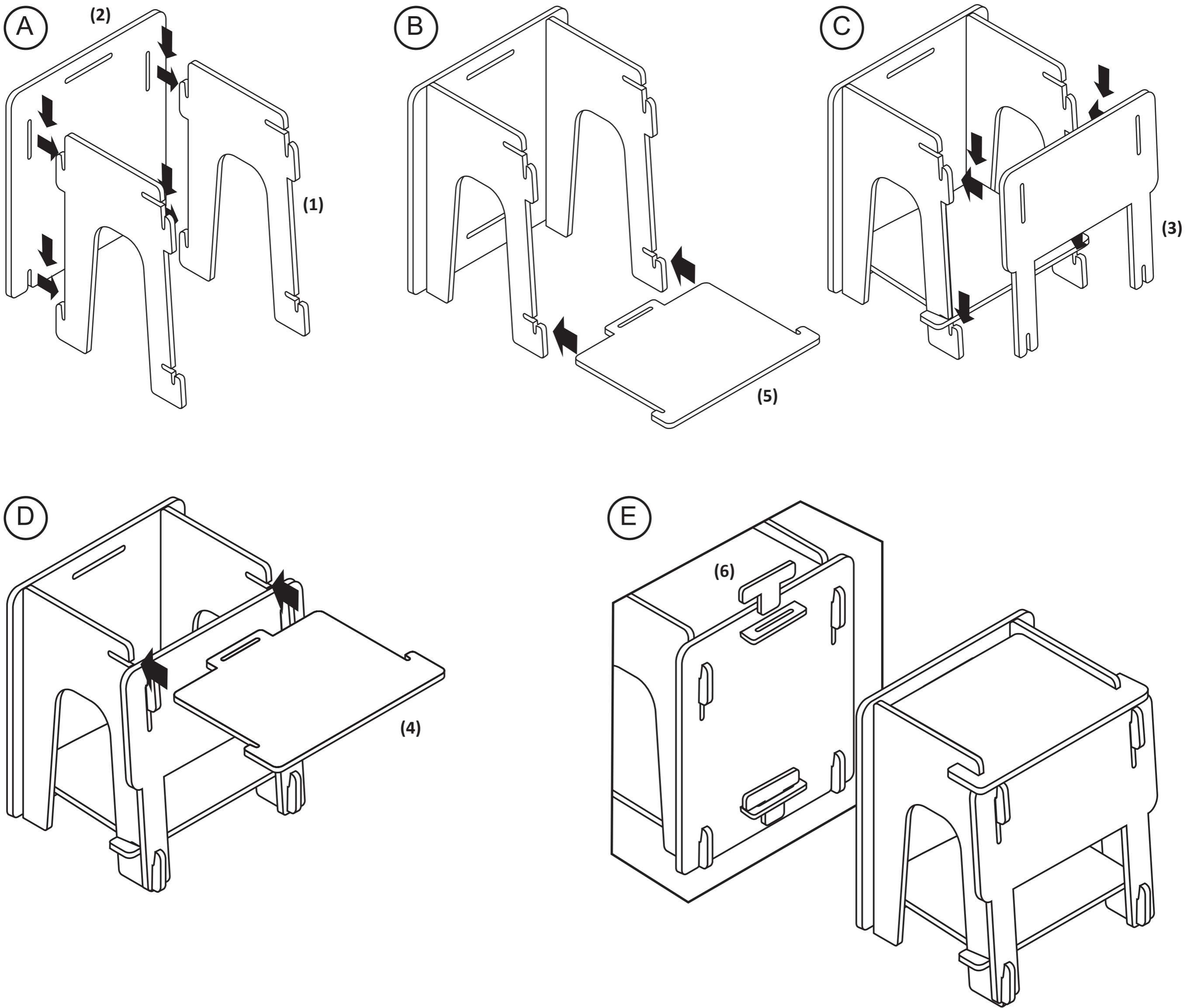


7.

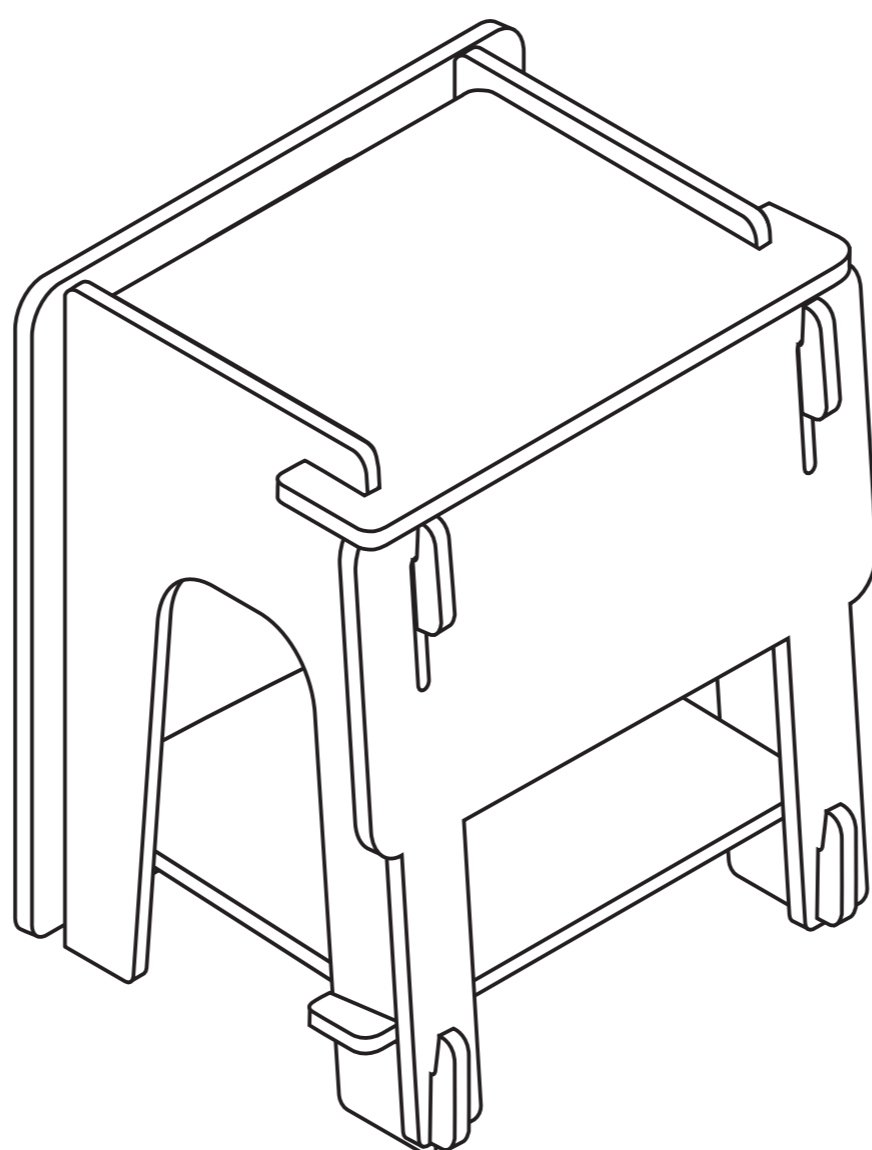
8.

1. Side Panel
3. Front Panel
5. Base Panel
- 7.

2. Back Panel
4. Top Panel
6. T-Bar Brace
- 8.



- A. With the back panel (2) in the upright position on a flat surface, attach the two side panels (1).
- B. Insert the base panel (5) into the slots and through the back panel.
- C. Put the front panel (3) on the hooks and slot down.
- D. Insert the top panel (4) into the slots and through the back panel.
- E. Insert the two T-Bar Braces (6) into the slots at the back.



The bedside is now complete, please read the user guide notes to maintain the unit to its highest standard.

Please dispose of all packaging safely.

User Guide

Please take a little time to read the important safety notes detailed below. This will ensure many years of happy and safe use.

Safety

Keep this product away from fire and direct heat sources.

Only use spares approved by Happy Beds.

Always clear and empty the product before dismantling.

Adult assembly required.

General Care & Maintenance

Wipe clean with a slightly damp cloth.

Avoid the use of all household cleaners and abrasives.

Periodically check all screw & fixings to ensure they are secure.

When moving your product, carefully lift into place. Never drag or push the pieces across the floor as this will cause damage to the joints and could result in failure to the product that will invalidate the warranty.

For more information on cleaning and product care visit:

<https://www.happybeds.co.uk/help-and-advice>

Notes

We've tried to make this product as easy to assemble as possible. In the unlikely event that you have problems putting it together or have damaged or missing pieces, please contact us by visiting:

<https://www.happybeds.co.uk/customer-service>



www.happybeds.co.uk