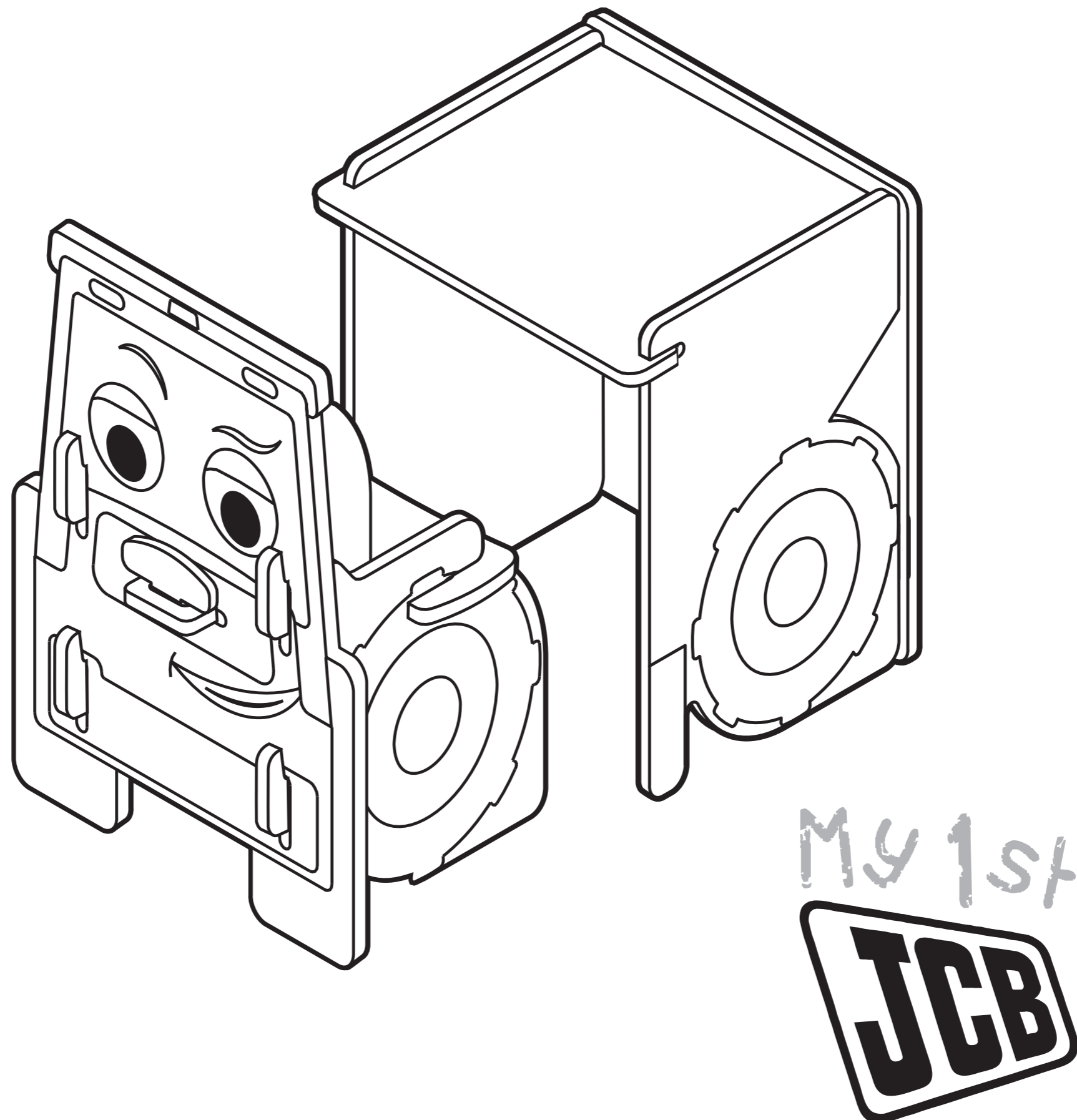


**IMPORTANT
KEEP FOR FUTURE REFERENCE & READ CAREFULLY**

JCB DESK & CHAIR



INSTRUCTIONS

Important to read before assembly:

Please check the contents of the box before attempting to assemble this product. The instructions will have a checklist of parts and fittings.

Only adults should assemble this product.

Assemble the product as close to its intended final location/room as possible.

Do NOT use any power tools as this may damage the frame.

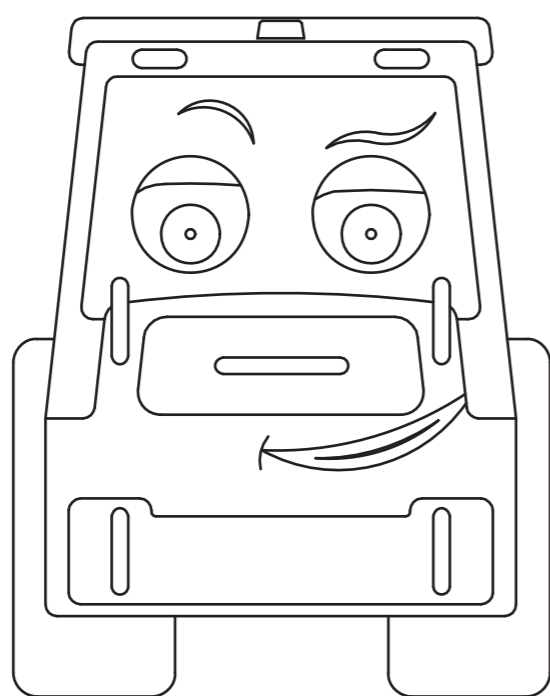
You may require an assistant when lifting, as this product or some parts of this product may be heavy

Please keep small parts out of reach of children.

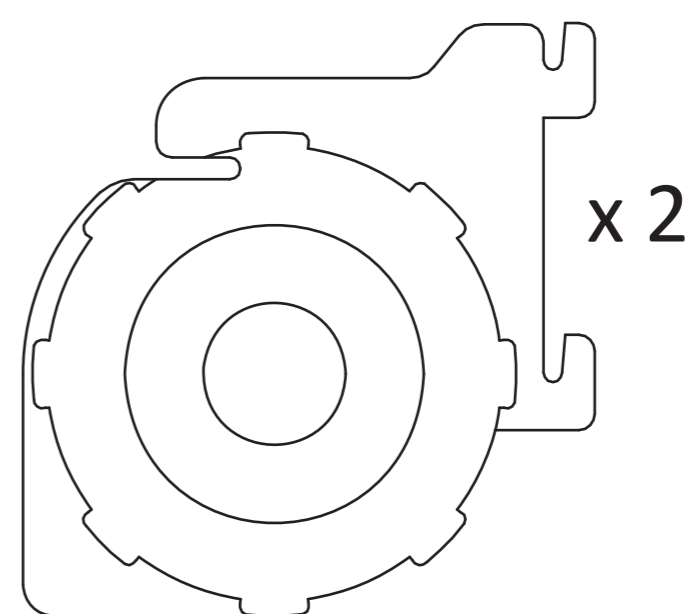
The back page also details some more information on safety, care and maintenance.

PARTS LIST

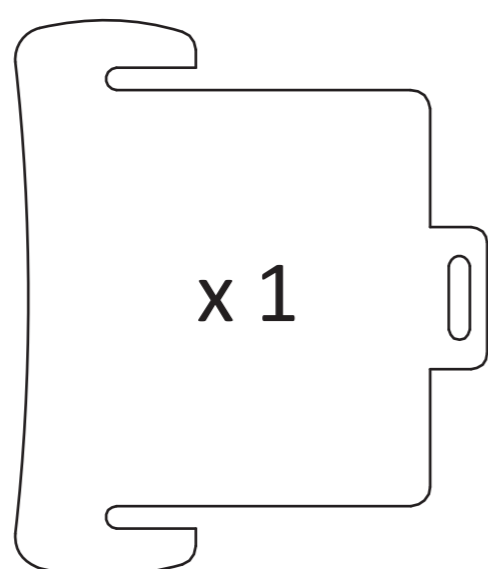
1.



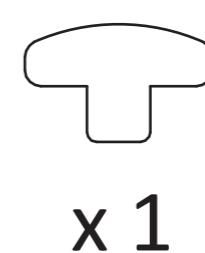
2.



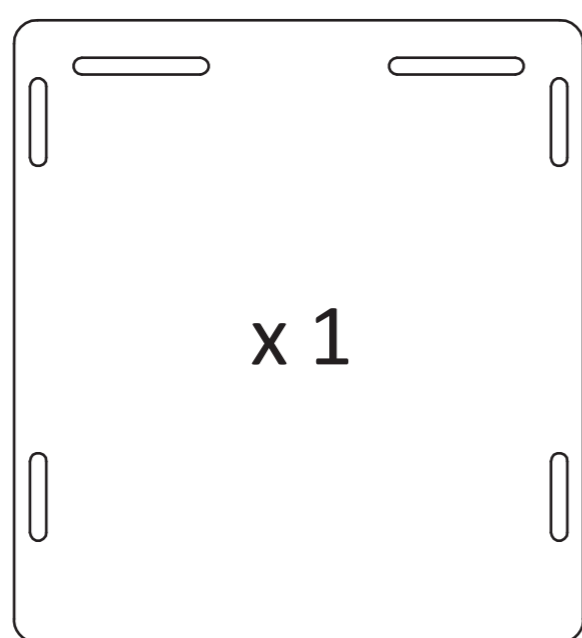
3.



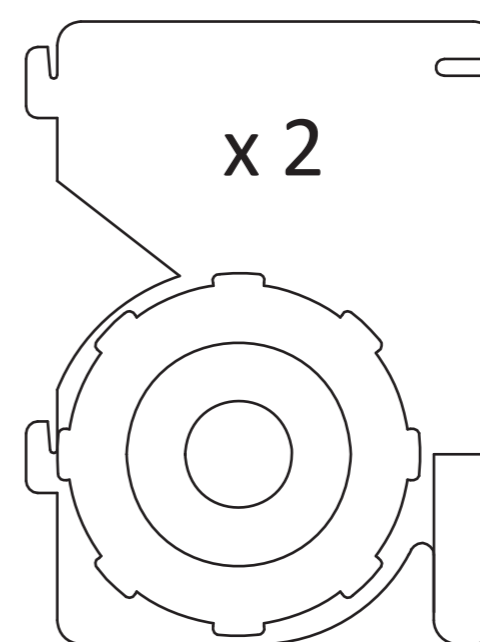
4.



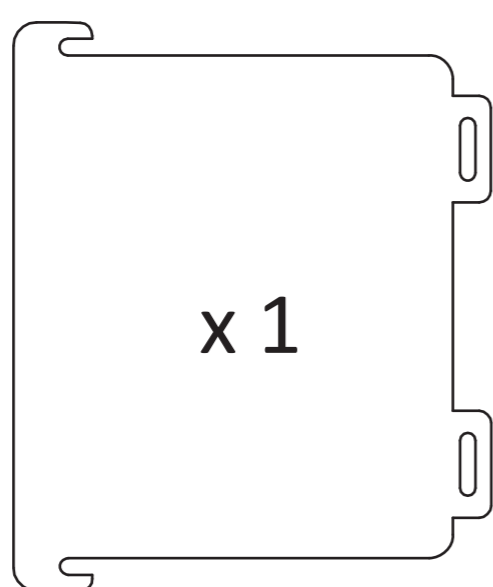
5.



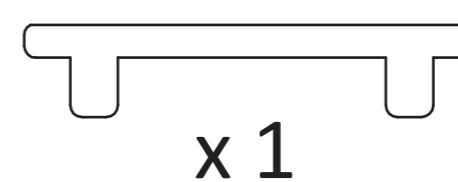
6.



7.



8.

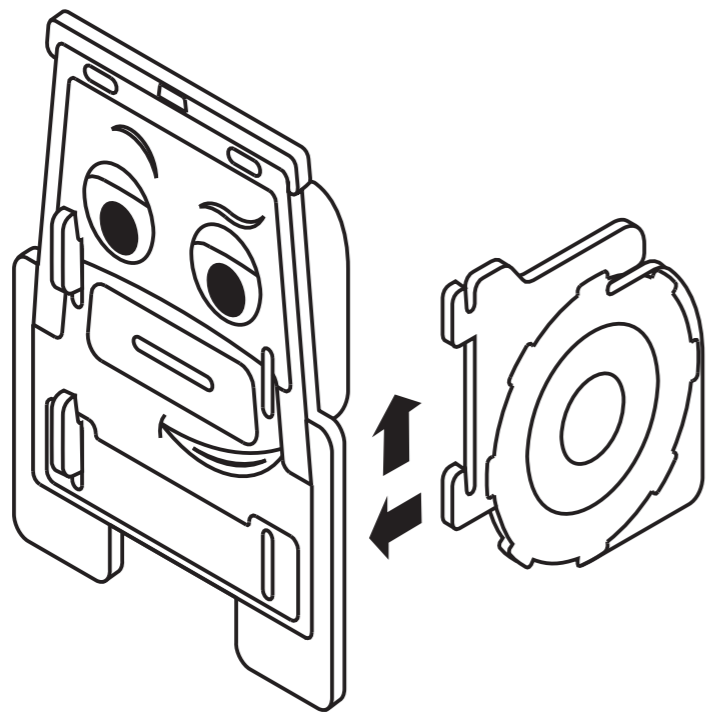


1. Chair Back Panel
3. Chair Seat Base
5. Desk Back Panel
7. Desk Top

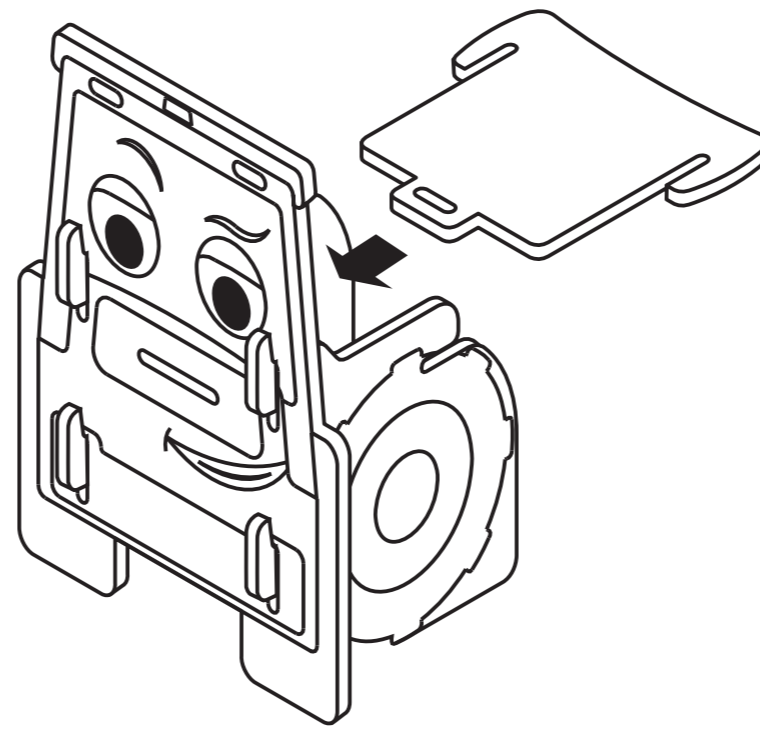
2. Chair Side Panel
4. Chair T-Bar
6. Desk Side Panel
8. Desk T-Bar

(A)

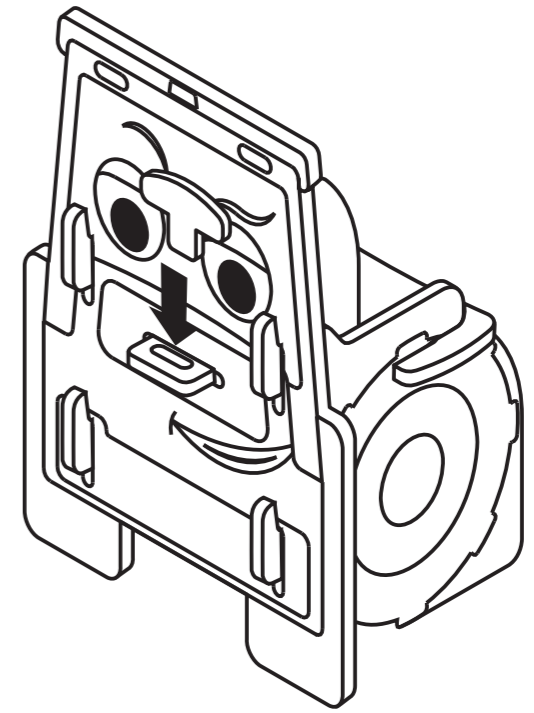
(2)



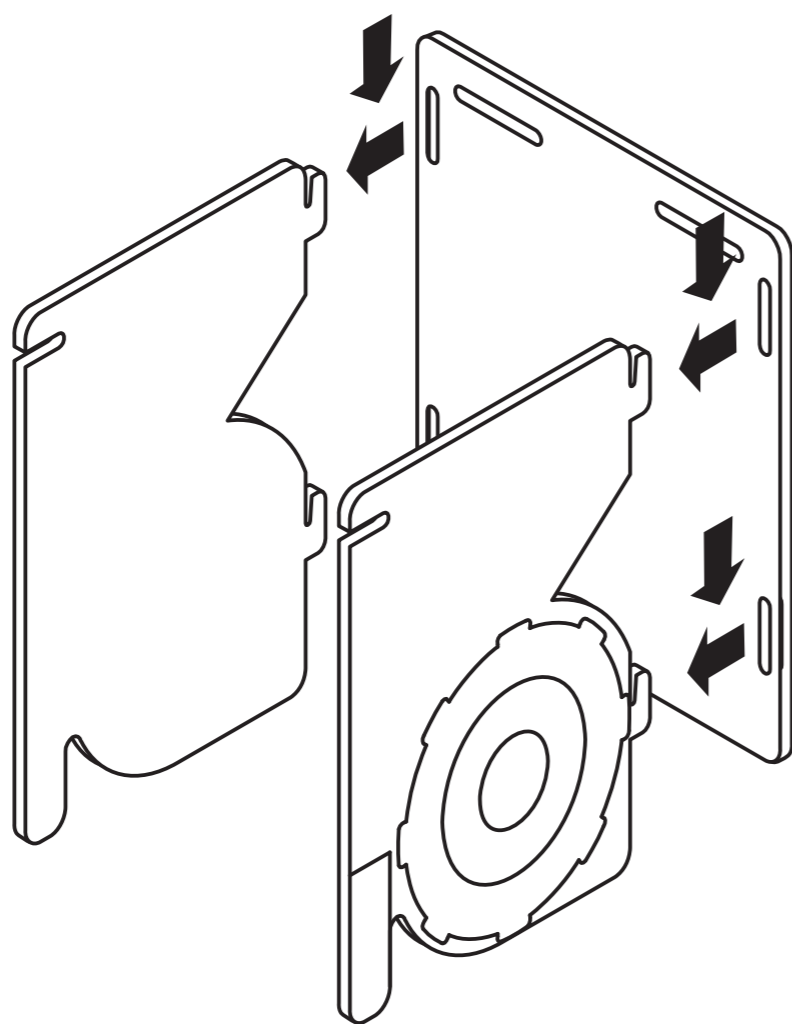
(B)



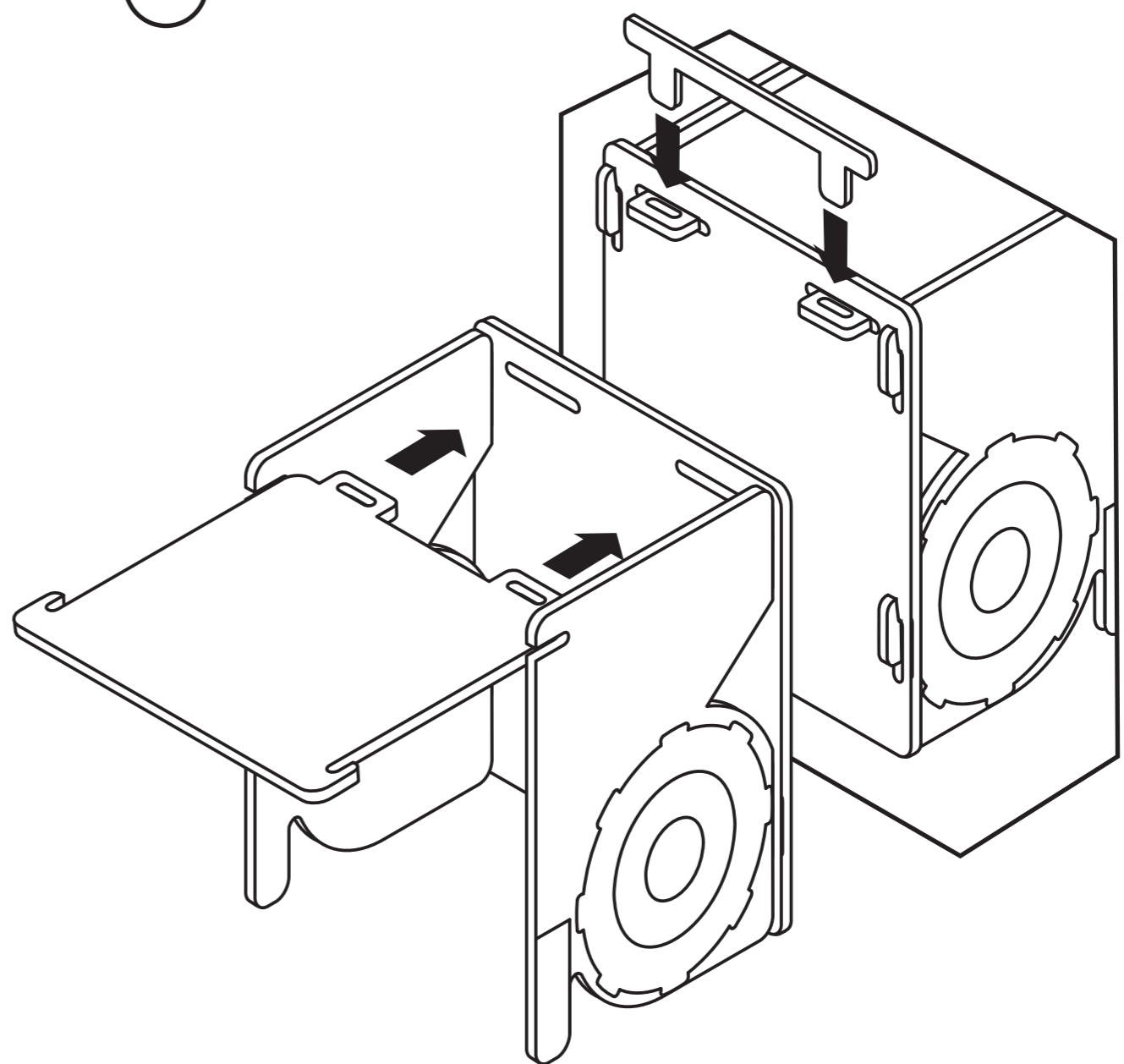
(C)



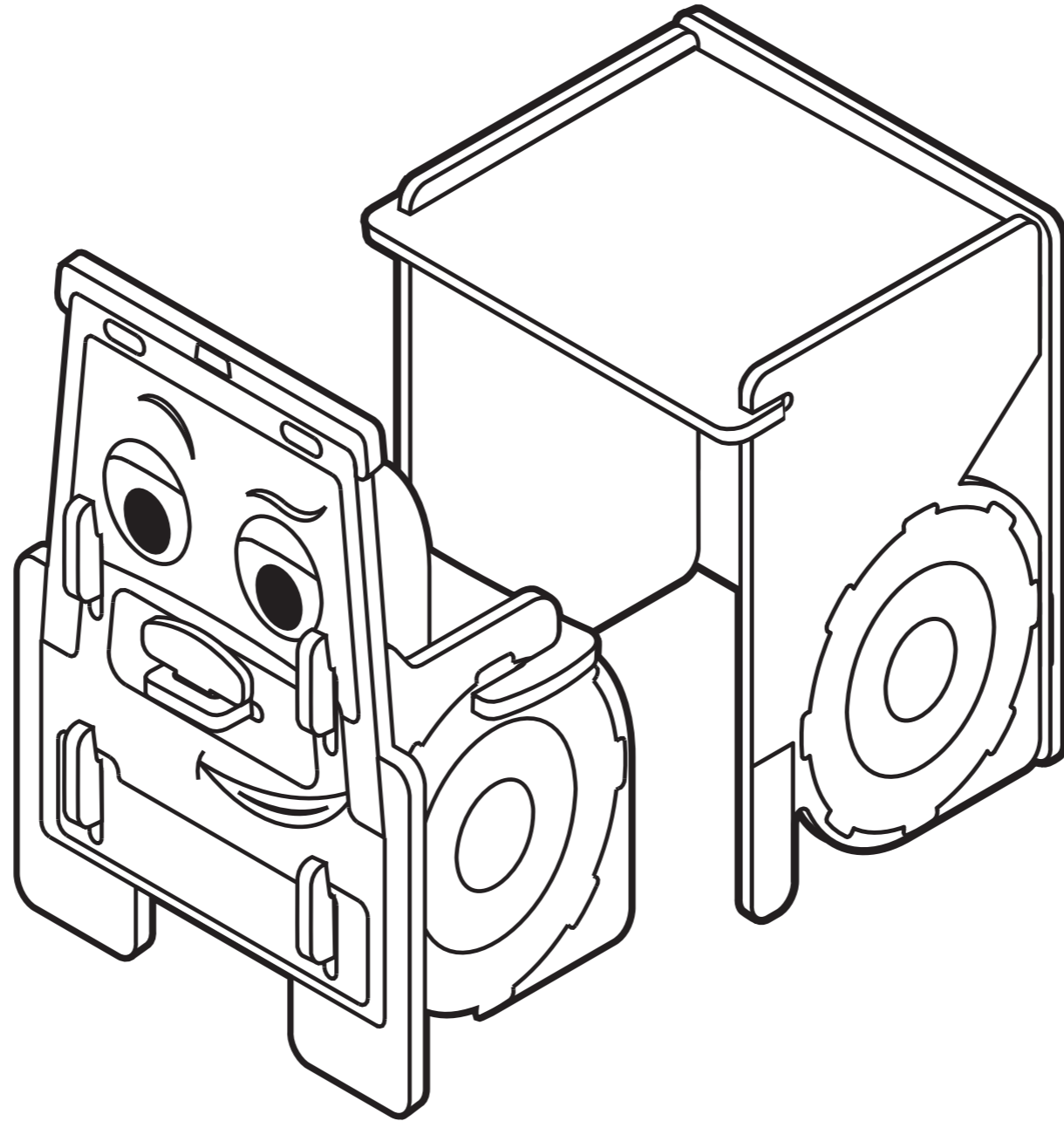
(D)



(E)



- A. With the chair back panel (1) insert the 2 chair side panels (2) into slots.
B. Insert the chair seat base (3) into place with piece through the back.
C. Insert the T-bar (4) into the slot from the chair seat base.
D. With the desk back panel (5) insert the 2 desk side panels (6) into slots.
E. Insert the desk top (7) into place, then when pushed through the slots insert the desk T-bar (8) into place.



The desk & chair is now complete, please read the user guide notes to maintain the unit to its highest standard.

Please dispose of all packaging safely.

User Guide

Please take a little time to read the important safety notes detailed below. This will ensure many years of happy and safe use.

Safety

Keep this product away from fire and direct heat sources.
Only use spares approved by Happy Beds.
Always clear and empty the product before dismantling.
Adult assembly required.

General Care & Maintenance

Wipe clean with a slightly damp cloth.
Avoid the use of all household cleaners and abrasives.

Periodically check all screw & fixings to ensure they are secure.
When moving your product, carefully lift into place. Never drag or push the pieces across the floor as this will cause damage to the joints and could result in failure to the product that will invalidate the warranty.

For more information on cleaning and product care visit:
<https://www.happybeds.co.uk/help-and-advice>

Notes

We've tried to make this product as easy to assemble as possible. In the unlikely event that you have problems putting it together or have damaged or missing pieces, please contact us by visiting:
<https://www.happybeds.co.uk/customer-service>



www.happybeds.co.uk